


SCOTSMAN

AIR & WATER COOLED MODULAR CONTOUR CUBERS

CME306

VOLUME PRODUCTION • 24 HOUR

 Certified & rated in accordance with ARI standard 810-95	Air-Cooled		Water-Cooled	
	70°/50° lbs./kg.	ARI 90°/70° lbs./kg.	70°/50° lbs./kg.	ARI 90°/70° lbs./kg.
CME306-1A	340/154	260/118	330/150	300/131



VALUE THE DIFFERENCE OF CM³ ICE MACHINES:

- NEW 22inch width.
- CM³ series offers the lowest lifetime operating costs based on lower water and electrical usage. Combine that with a competitive purchase price and the best warranty in the industry and you have the lowest lifetime ownership cost. Period.
- AutoIQ™ Control System monitors and controls the ice machines' functions to ensure consistent ice production and reduce operating costs.
- CM³ Evaporator is a hot, tin dipped, molecularly bonded plate that has been field tested and proven 99.4% reliable over 5 years.
- Rust-free Polyethylene Base and Food Zone is insulated with 1-1/2" of foam which keeps water and food zone cool to reduce operating costs and is backed by a Lifetime Rust-free Warranty.
- Contemporary styling and stainless steel finish make the CM³ a perfect addition to any operation.

WARRANTY *See your dealer for complete warranty details.*

- 3 years parts and labor on all components.
- 5 years parts and labor on the CME evaporator.
- 5 years parts on the compressor and condensor.
- Lifetime Rust Free Food Zone Warranty.

BIN OPTIONS:



BIN: BH260S




BIN: BH375S



APPROX. CUBE SIZE:
1³/₈" X 1³/₈" X 5⁵/₈" THICK

SCOTSMAN MODULAR BINS					
Model Number	Dimensions W"xD"xH"	ARI Bin Capacity	Application Capacity	Finish	Ship Weight lbs./kg.
BH260S	22 x 31.5 x 34.5	200 LBS.	244 LBS.	SS	100/45
BH375S	22 x 31.5 x 50	310 LBS.	400 LBS.	SS	130/59

(SS) Stainless Steel with Polyethylene liner.

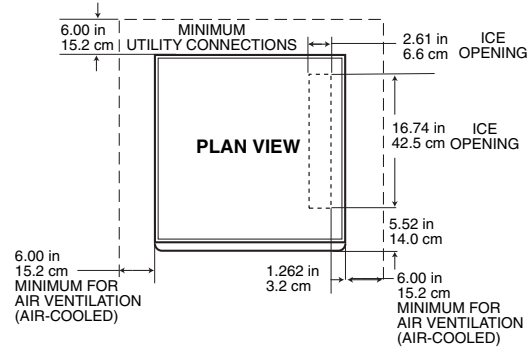
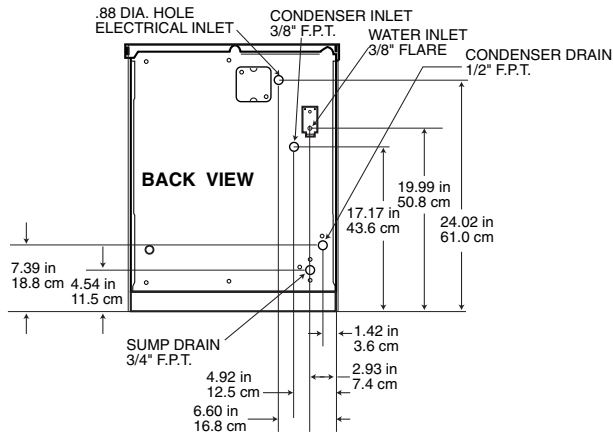
This product qualifies for the following listings:

 Rated in accordance with ARI standard 810-95



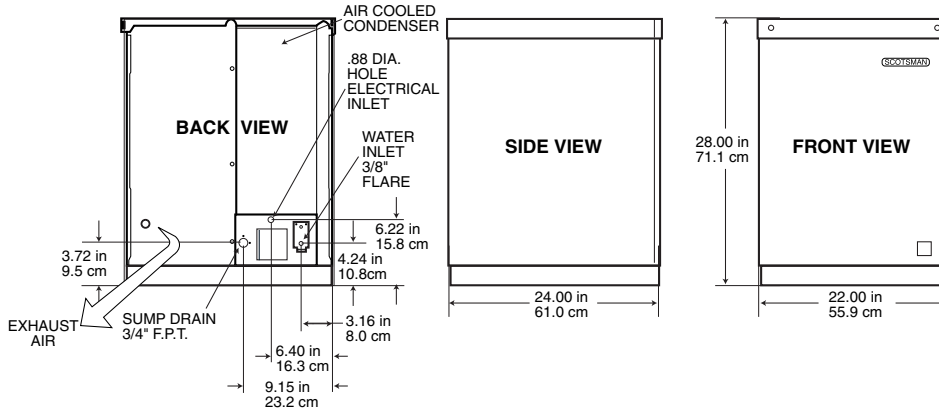


Ice Machine Specifications

WATER COOLED



AIR COOLED



All models: Dimensions: W x D x H Unit: 22" x 24" x 28" Shipping Carton: 25" x 27" x 31"

Model Number	Condenser Unit	Basic Electrical Volts/Hz/Phase	Max. Fuse Size or HACR Circuit Breaker	Comp. HP	Circuit Wires	Min. Circuit Ampacity	BTU's per hour	Shipping Weight lbs./kg.	Power Consumption KWH/100 lbs. 90°F/70° F	Water Usage Gallons/100 lbs.	
										Potable 90°F/70° F	Condenser 90°F/70° F
CME306AS-1A	AIR	115/60/1	20	1/2	2	16	5,100	185/84	8.5	19.9	NA
CME306WS-1A	WATER	115/60/1	20	1/2	2	16	5,100	185/84	6.6	20.4	161

All units with Stainless Steel finish.
Refrigerant-R-404A.

Scotsman's ice machines are not designed for outdoor installations. Scotsman remote condensers are designed for outdoor installations.

Machine requires voltage indicated on rating name plate. Failures caused by improper voltage are not considered factory defects. Extended periods of operation at temperatures exceeding limitations constitutes misuse under the terms of Scotsman Manufacturer's Limited Warranty, resulting in a loss of warranty coverage. Specifications and design are subject to change without notice.

Consult Your Local SCOTSMAN Representative At:

IMPORTANT OPERATING REQUIREMENTS:

	Minimum	Maximum
Air Temperatures	50°F (10°C)	100°F (37.7°C)
Water Temperatures	40°F (4.4°C)	100°F (37.7°C)
Remote Cond. Temps	-20°F (-28.9°C)	120°F (48.9°C)
Water Pressures	20 PSIG	120 PSIG
Electrical Voltage	-5%	+10%

YOU'LL VALUE THE DIFFERENCE™

775 Corporate Woods Parkway • Vernon Hills, IL 60061 • 1-800-SCOTSMAN • (847) 913-9844
Visit our website at: www.scotsman-ice.com • E-mail: customer.service@scotsman-ice.com

